

MOEN®

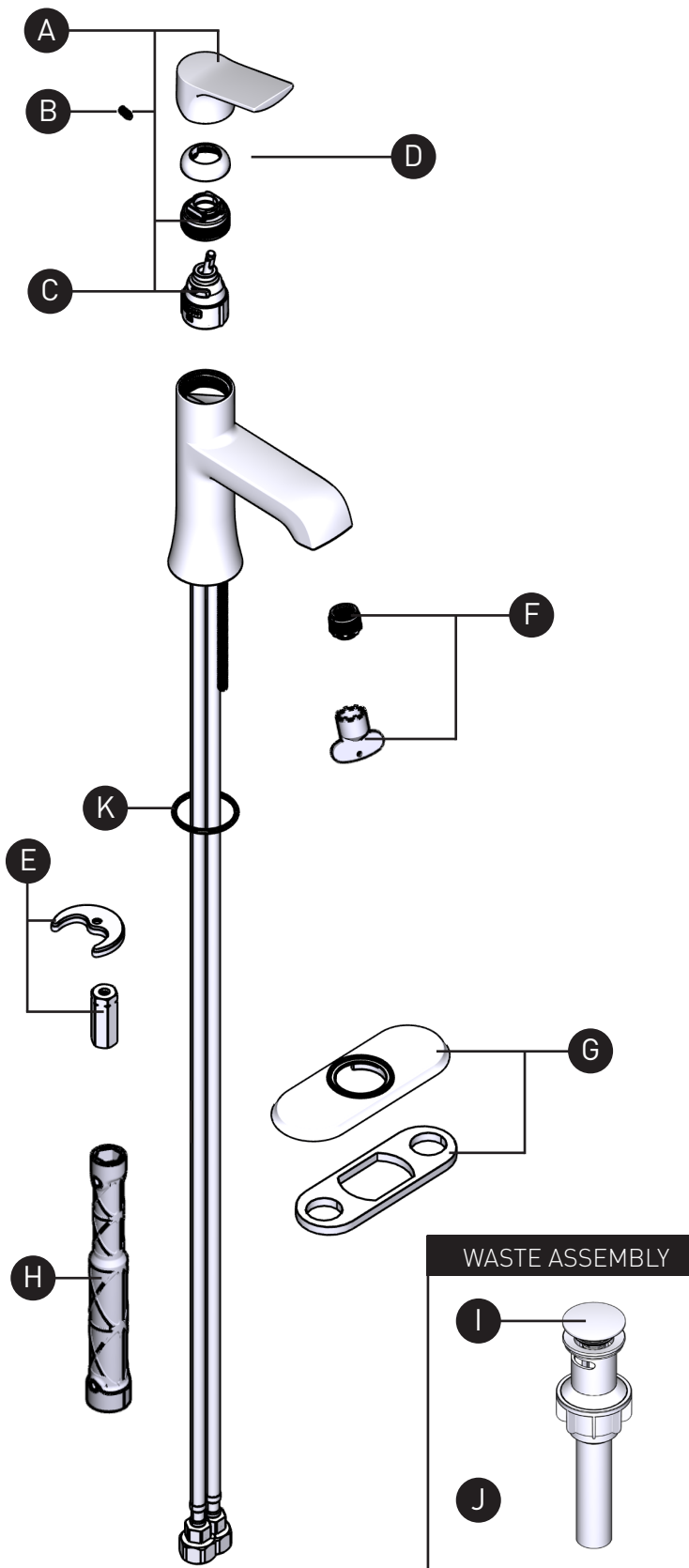
ORDER BY PART NUMBER

Illustrated Parts

Liso™

One-Handle Lavatory Faucet

MODEL	HANDLE	FINISH
84540	Lever	Chrome
84540BL	Lever	Matte Black
84540SRN	Lever	Spot Resist Brushed Nickel



ID	Kit Number	Kit Description	Finish
A	212229	Handle Kit	Chrome
	212229BL		Matte Black
	212229SRN		Spot Resist Brushed Nickel
B	159195	Set Screw (requires 3/32" hex key)	N/A
C	160657	Cartridge, Cart. Nut & Set Screw	N/A
D	160660	Handle Dome	Chrome
	160660BL		Matte Black
	160660SRN		Spot Resist Brushed Nickel
E	146190	Hardware Kit	N/A
F	181078	Aerator (includes Tool)	N/A
G	150568	Deck Plate Kit	Chrome
	150568BL		Matte Black
	150568SRN		Spot Resist Brushed Nickel
H	118305	Installation Tool	N/A
I	186479	Waste Assembly (Top Only)	Chrome
	186479BL		Matte Black
	186479CSL		Classic Stainless (Use CSL for Spot Resist Nickel)
J	186478	Waste Assembly (Full Assembly)	Chrome
	186478BL		Matte Black
	186478CSL		Classic Stainless (Use CSL for Spot Resist Nickel)
K	150567	Deck Gasket Kit	N/A